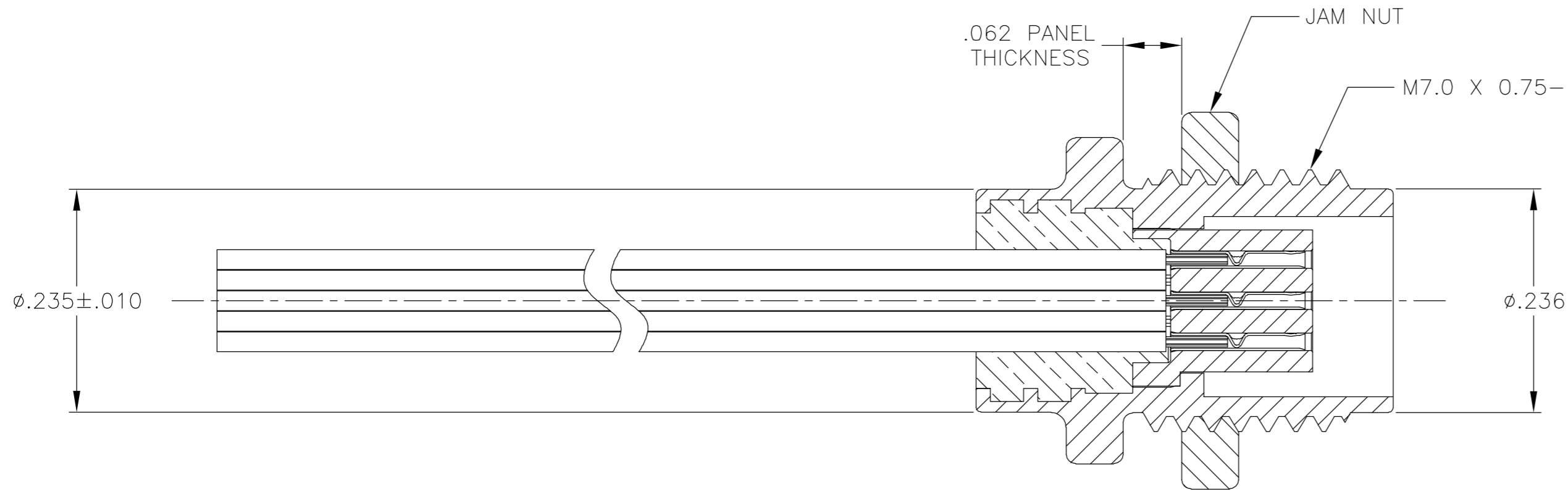
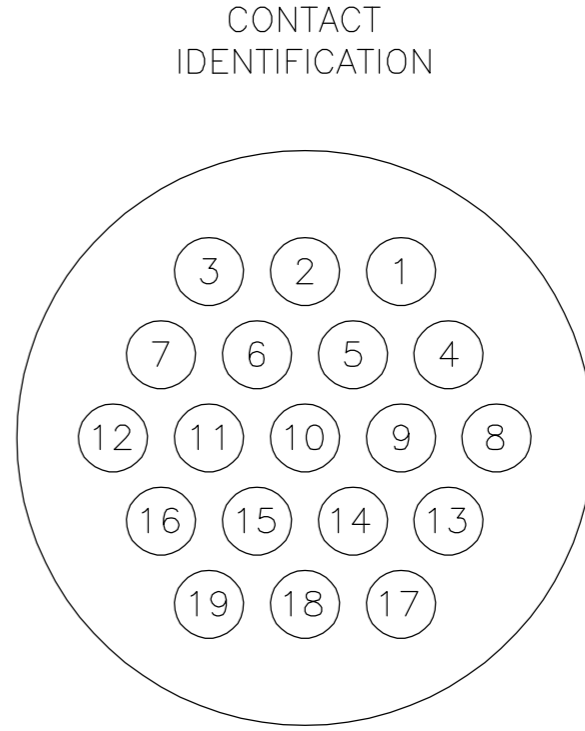
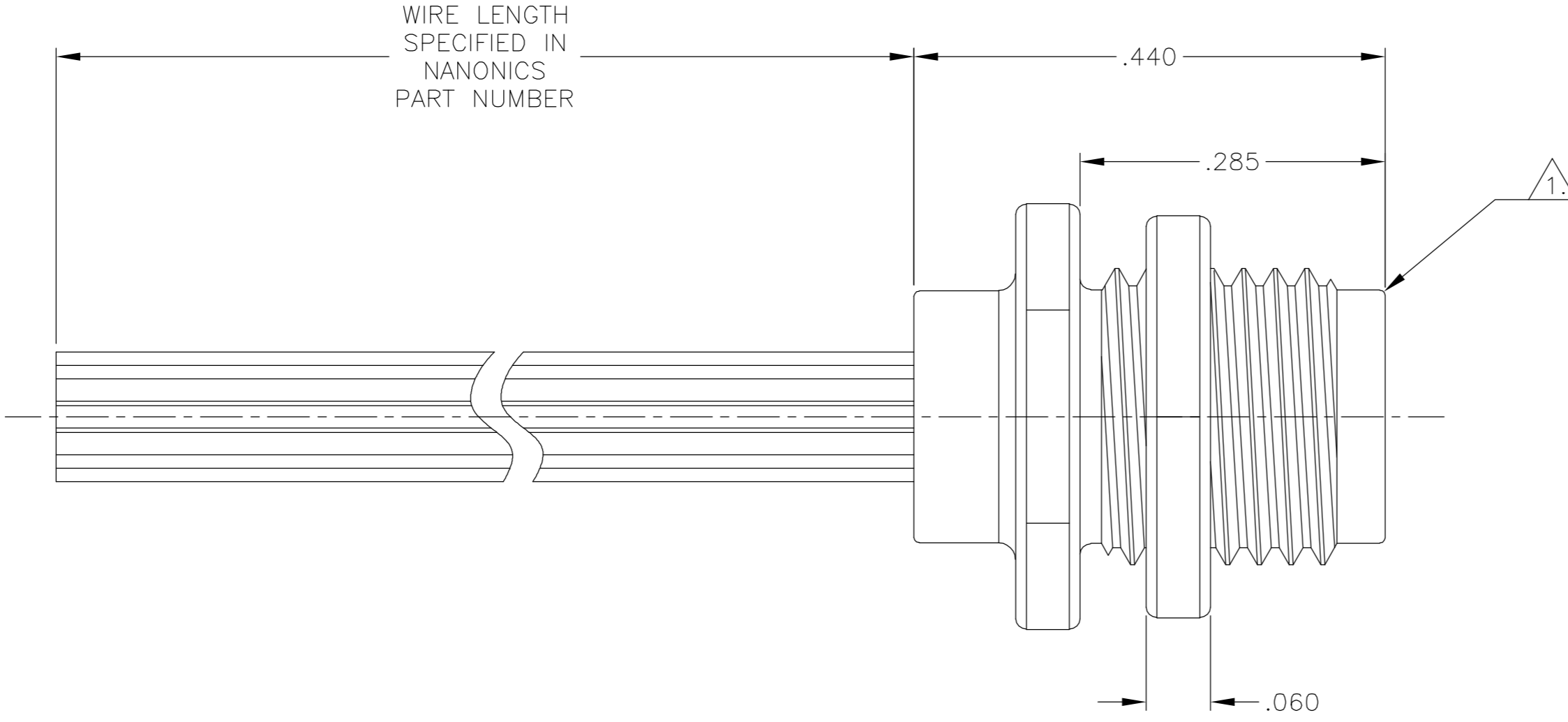
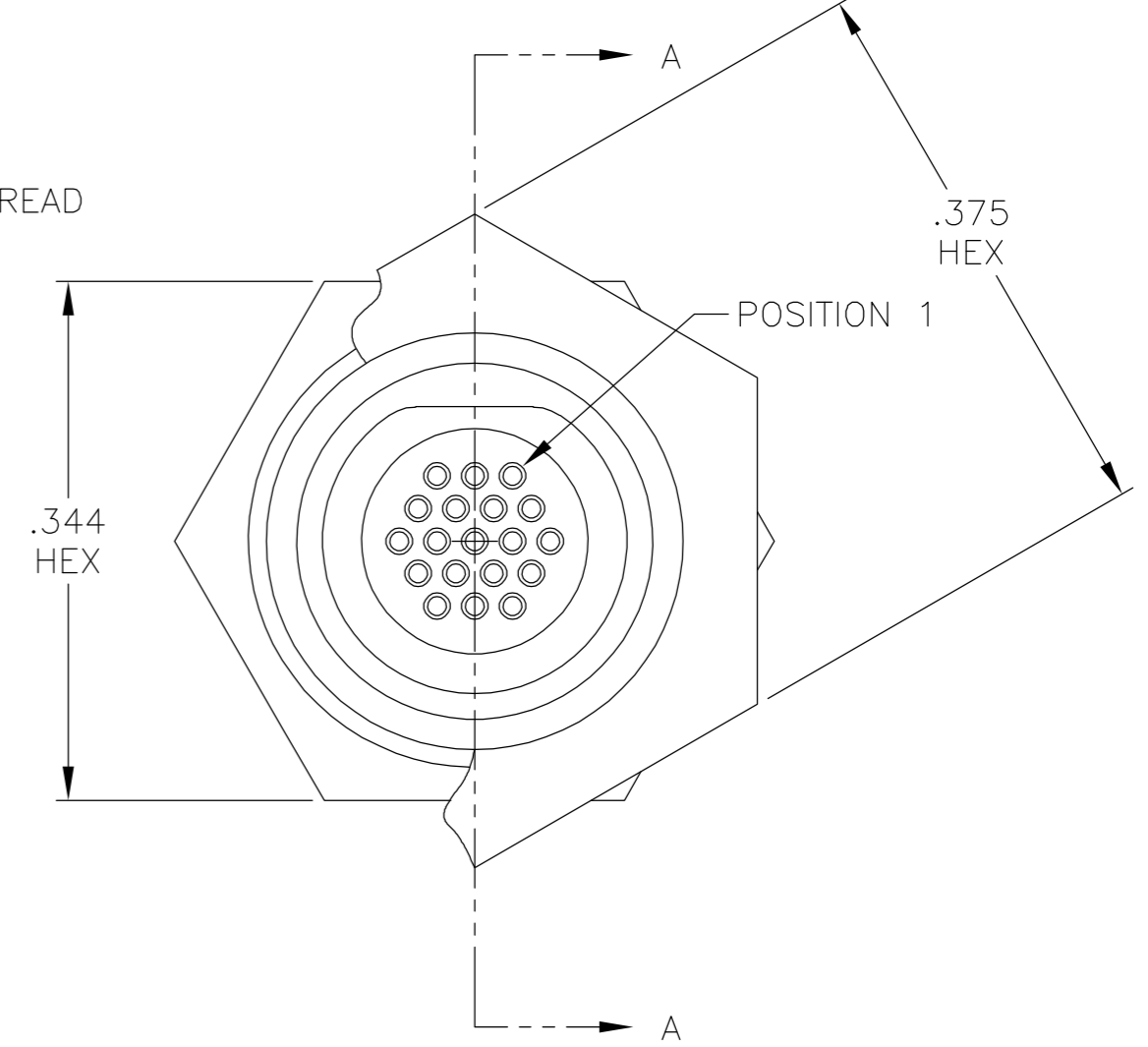


THIS DRAWING IS UNPUBLISHED. RELEASED FOR PUBLICATION
 © COPYRIGHT BY TYCO ELECTRONICS CORPORATION. ALL RIGHTS RESERVED.

LOC	DIST	REVISIONS			
P	LTR	DESCRIPTION	DATE	DWN	APVD
DF	DO				
	K	UPDATE PER 0H2Y-0164-04	05-12-04	JDM	MKS



SECTION A-A



- 1. CONNECTOR BODY AND JAM NUT ARE 6061-T6 ALUMINUM, GOLD PLATED PER MIL-G-45204
INSULATOR MATERIAL IS LIQUID CRYSTAL POLYMER (LCP) PER MIL-M-24519 OR PER ASTM D5138
- 2. WIRE TERMINATION: 28 AWG SOLID, 30 AWG STRANDED (STANDARD) WIRE OR SMALLER
- 3. PREVIOUS NANONICS DRAWING NUMBER C66024

THIS DRAWING IS A CONTROLLED DOCUMENT.		DWN M. STORRY 08-19-97	Tyco Electronics Corporation Harrisburg, PA 17105	
DIMENSIONS: INCHES		CHK M. STORRY 04-24-02		
TOLERANCES UNLESS OTHERWISE SPECIFIED:		APVD M. STORRY 04-24-02	NAME RECEPTACLE ASSEMBLY, 19 POSITION, CIRCULAR, PANEL MOUNT, NCG SERIES	
0 PLC ± - 1 PLC ± - 2 PLC ± .010 3 PLC ± .005 4 PLC ± - ANGLES ± 1°		PRODUCT SPEC -	SIZE A2	CAGE CODE 00779
MATERIAL SEE NOTE		FINISH SEE NOTE	DRAWING NO C=1589428	RESTRICTED TO -
		WEIGHT -	SCALE 10:1	SHEET 1 OF 1
		CUSTOMER DRAWING	REV K	

1589428